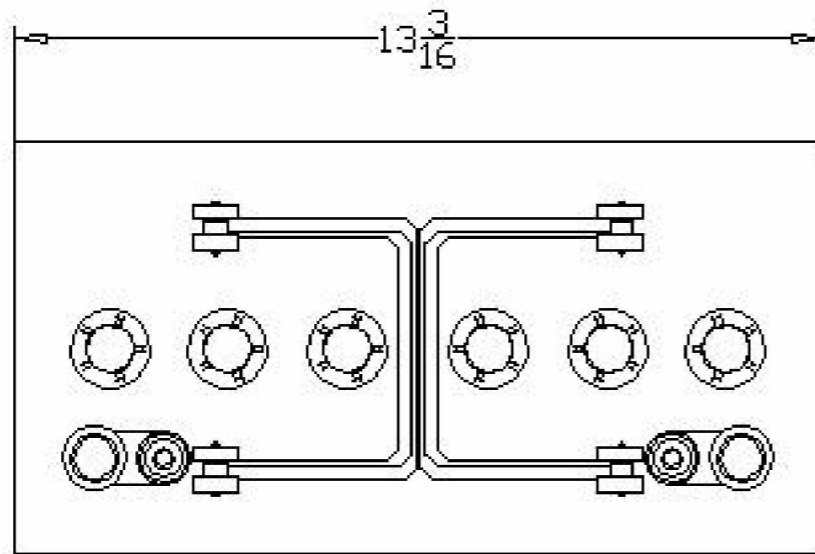


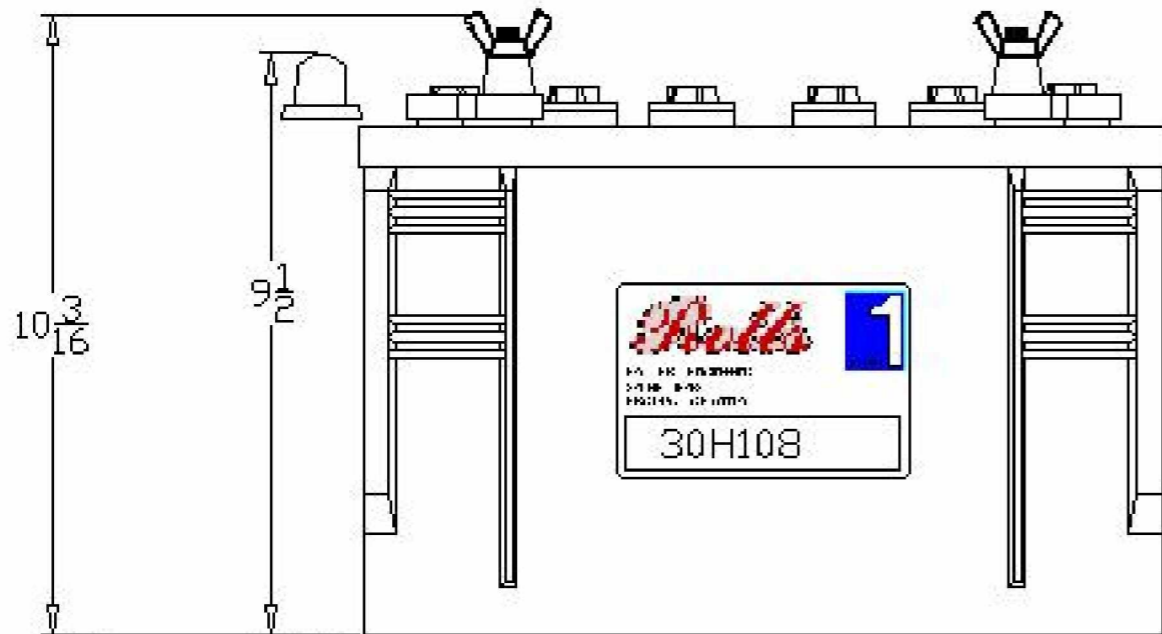


HEAVY DUTY DEEP CYCLE SERIES 4000

BATTERY TYPE	VOLTS	12	30H 108
DIMENSIONS			
LENGTH	335 MM	13 3/16	INCHES
WIDTH	171 MM	6 3/4	INCHES
HEIGHT	248 MM	9 3/4	INCHES
WEIGHT DRY	26 KG	58	LBS.
WEIGHT WET	33 KG	72	LBS.
CONTAINER CONSTRUCTION			
CONTAINER	POLYPROPYLENE		
COVER	POLYPROPYLENE - HEAT SEALED TO CONTAINER		
HANDLES	PLASTIC MOUNTED TO COVER		
PLATES PER CELL	11		
ELECTROLYTE RESERVE	ABOVE PLATES	38 MM	1.5 INCHES
DESIGN CRITERIA	7 YEAR WARRANTY	1300 CYCLES	10 YEAR LIFE
POSITIVE PLATE DIMENSION			
HEIGHT	127 MM	5	INCHES
WIDTH	143 MM	5.625	INCHES
THICKNESS	3.18 MM	0.125	INCHES
NEGATIVE PLATE DIMENSION			
HEIGHT	127 MM	5	INCHES
WIDTH	143 MM	5.625	INCHES
THICKNESS	2.08 MM	0.082	INCHES
SEPARATOR INSULATION	SEPARATOR THICKNESS	0.05 INCH	
	0.020" GLASS MAT		
TERMINALS	UNIVERSAL OR FLAG IF SPECIFIED		
COLD CRANK	CCA	0°F / -17.8°C	394
	MCA	32°F / 0°C	493
	RESERVE		203
	MINUTES AT 25A		
CAPACITY	20 HR RATE	108	
		CAP / AH	CURRENT / AMPS
CAPACITY AT THE 20 HOUR RATE	1.265 SP. GR.	108	5.4
CAPACITY AT THE 15 HOUR RATE	1.265 SP. GR.	102	6.8
CAPACITY AT THE 12 HOUR RATE	1.265 SP. GR.	96	8.0
CAPACITY AT THE 10 HOUR RATE	1.265 SP. GR.	92	9.2
CAPACITY AT THE 8 HOUR RATE	1.265 SP. GR.	86	10.8
CAPACITY AT THE 6 HOUR RATE	1.265 SP. GR.	80	13.3
CAPACITY AT THE 5 HOUR RATE	1.265 SP. GR.	76	15
CAPACITY AT THE 4 HOUR RATE	1.265 SP. GR.	70	18
CAPACITY AT THE 3 HOUR RATE	1.265 SP. GR.	64	21
CAPACITY AT THE 2 HOUR RATE	1.265 SP. GR.	55	28
CAPACITY AT THE 1 HOUR RATE	1.265 SP. GR.	39	39

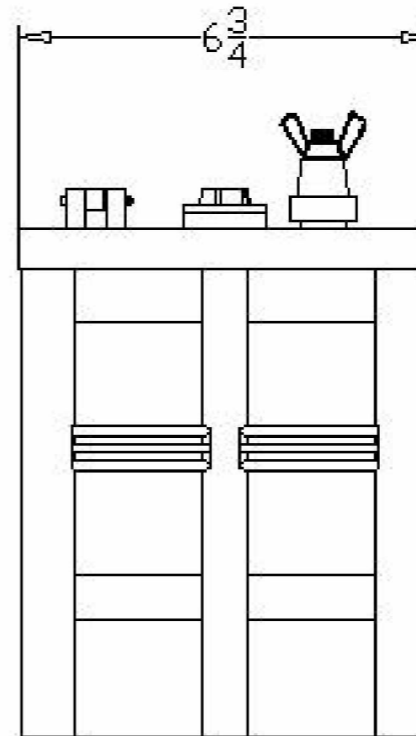


PART NUMBER: 30H108
 APPROX. WT WET: 72 LB / 33 KG
 APPROX. WT DRY: 58 LB / 26 KG
 CC/32°F, 0°C 394 A
 CCA/ 0°F, -18°C 493 A
 CAPACITY 108 AH 20 HR
 RES (MIN@25AMP): 203
 VOLTAGE: 12 V
 OVERALL DIM: 13 ³/₁₆ X 6 ³/₄ X 9 ¹/₂



WITH
UNIVERSAL
WINGNUT

WITH
AUTOPOST



BATTERY ENGINEERING
 SALEM, MASS., USA

TITLE:
30H108

DESCRIPTION:
12V DEEP CYCLE SERIES 400/4000

CONTACT INFO:
 WEB: WWW.ROLLSBATTERY.COM
 E-MAIL: SALES@ROLLSBATTERY.COM
 PHONE: 1-800-681-9914

SCALE: 1" = 4" 6" X 11"

DATE: 24-FEB-03 REVISION 1.0

DRAWING NO.: DWG065, 30-30H108